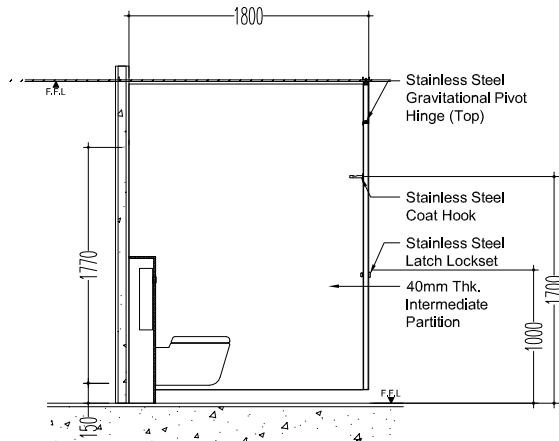
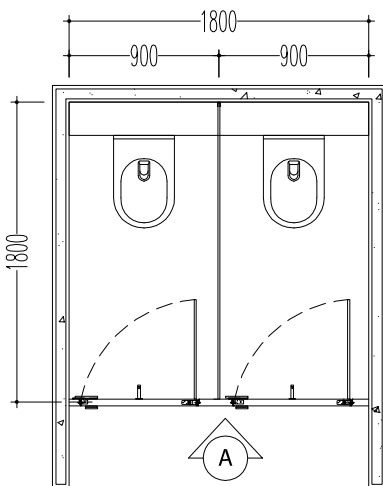


Front Elevation A



Section A



Plan

