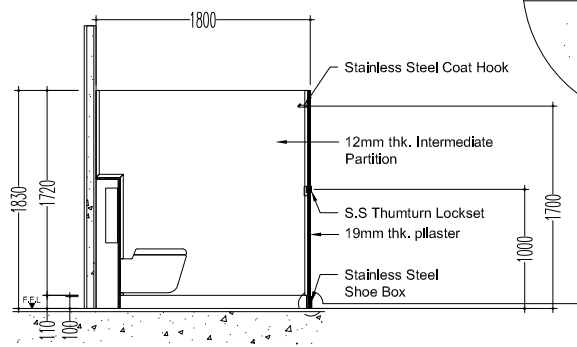
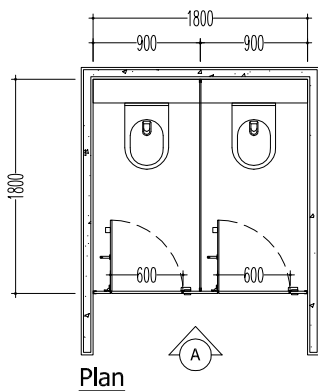
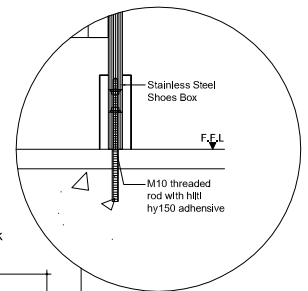


Front Elevation A



Section A



Plan

Plan View Detail

